

Special Features & Benefits:

- Key operated door
- Multiple cable entries
- Lots of cable space
- 2 mm² wire terminals



Firemans Priority Switch FPS, IP30
for Actulux smoke ventilation systems



Actulux

Firemans Priority Switch FPS for Smoke Ventilation Systems, IP30

EASY INSTALLATION AND OPERATION

The priority switch is developed to be used together with the Actulux smoke ventilation system.

The unit has highest priority and will allow firemen to override any other alarm activations.

Key operated door, and buzzer silent when door opens.

Cable entry from top, bottom or back.

OPERATION INSTRUCTIONS

The OPEN-switch sets the panel in open mode condition. If the control panel is not already in fire mode, it will enter fire mode condition after this activation.

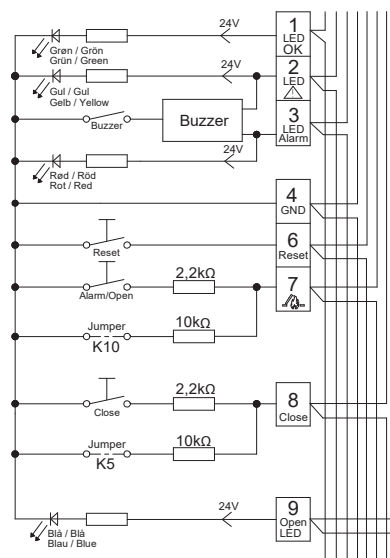
The CLOSE-switch sets the panel in closed mode condition for 180 seconds, and the panel remains in fire mode condition.

Connection diagram for FPS

Terminals (2 mm²):

1. Green LED, OK
2. Yellow LED, Failure
3. Red LED, ALARM
4. Ground (-)
6. Priority switch emergency reset
7. Priority switch emergency opening
8. Priority switch emergency closing
9. Blue LED, OPEN indication

Jumper K10 and K5 must only be set in the last or only priority switch.



SPECIFICATIONS

Approved according to ISO 21927-9:2012

Function: Manual override of alarm to open or close smoke vent, buzzer

LED indication: "ok" (green), "error" (yellow), "alarm activated" (red), "open" (blue)

Size: 125 mm x 125 mm x 38 mm (W x H x D)

Colour: Orange, other colors on request

IP rating: IP30

Consumption on error: 2.2 mA

Item no.: 511729 (ORANGE)