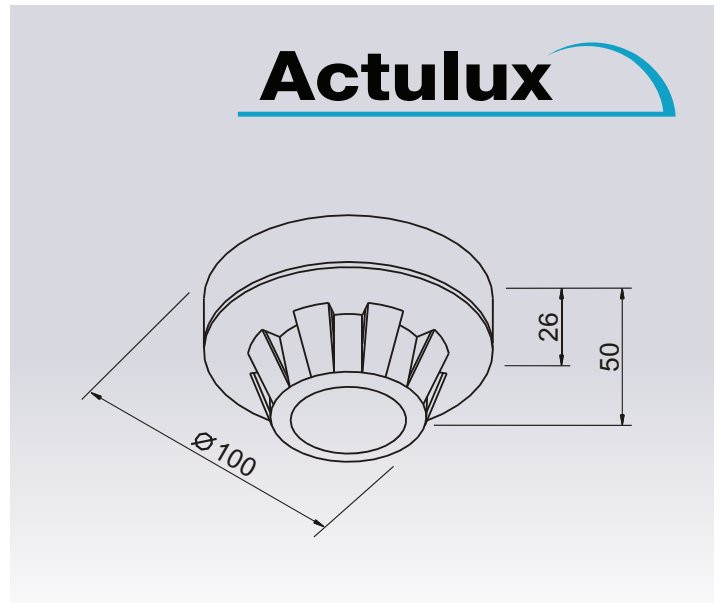




**Thermal Differential Detector**  
detection of fire



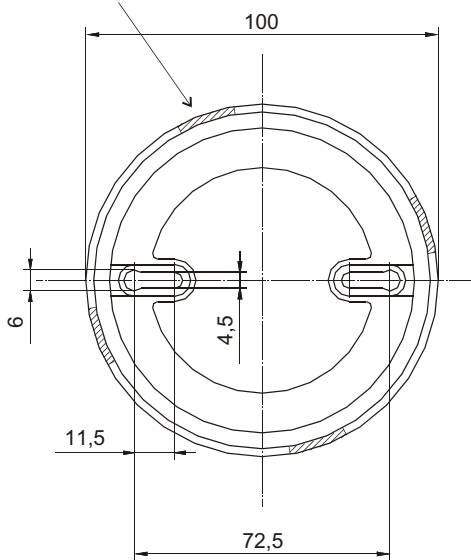
# Thermal Differential Detector

## THERMAL DIFFERENTIAL DETECTOR FOR FIRE DETECTION

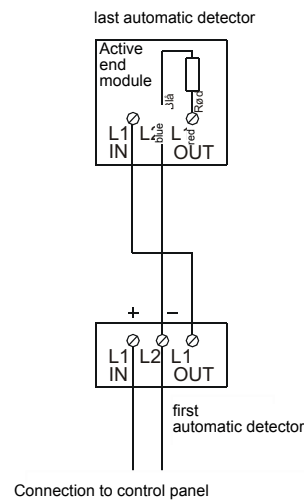
Thermal Differential Detector for early fire detection. Alarm release in case of fast temperature increase and

with maximum temperature of approx. 75° C with optical indicator on release, including mounting base.

### CABLE OUTLET



### ELECTRICAL CONNECTION



Approval no.: G200017

## FEATURES

Connection voltage: 24VDC
Current consumption (rest): 0.1 mA
Cabinet: White plastic, round
Operating temperature: -20° to 90° C
Trigger point: 75°C
Trigger current: 50mA
Item no.: 111735